

DESIGN-TEK, INC.

- MOTION CONTROL PRODUCTS
- ENGINEERING/DESIGN SERVICES
- DESIGN PRODUCTS FOR CUSTOMERS

SERVICES

- GENERAL ENGINEERING, DESIGN, AND DRAFTING
- PRODUCT DEVELOPMENT
- MACHINE DESIGN
- TEST EQUIPMENT
- PROTOTYPE FABRICATION
- RAPID PROTOTYPING

PRODUCTS (STANDARD & CUSTOM)

- GEARHEADS
- X-Y TABLES
- ROTARY TABLES
- ACTUATORS
- CUSTOM ACCESSORIES

GEARHEADS (STANDARD & CUSTOM)

- PLANETARY
- SPUR
- WORM BOXES

X-Y TABLE - MECHANICAL DRIVES

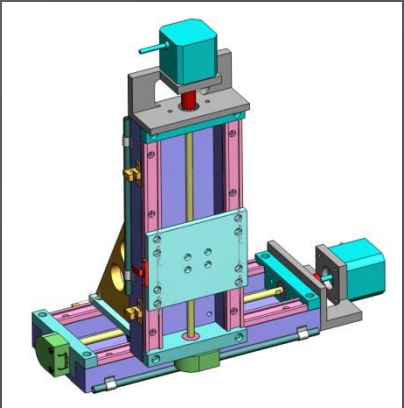
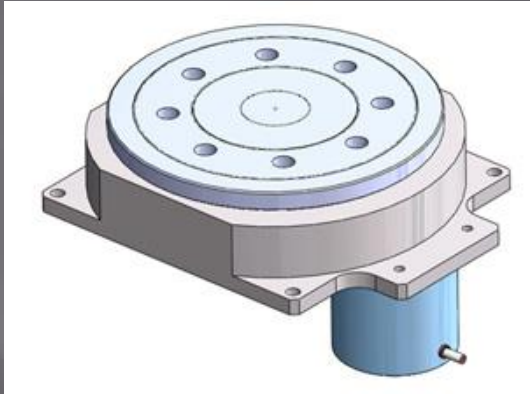
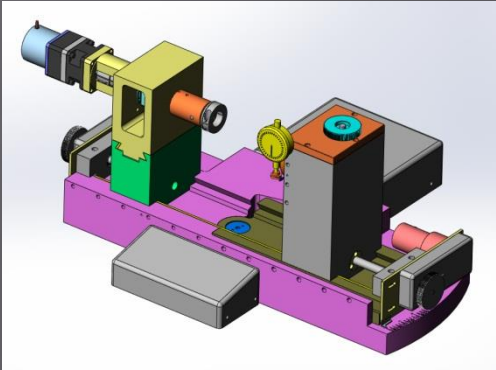
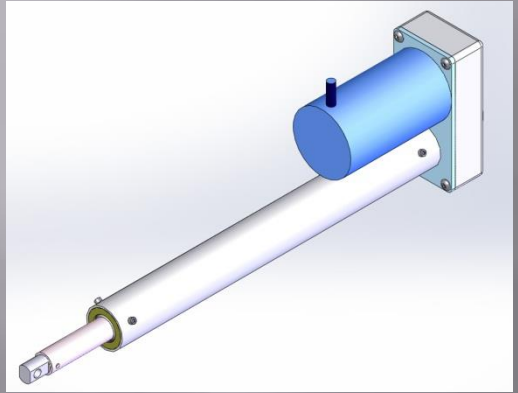
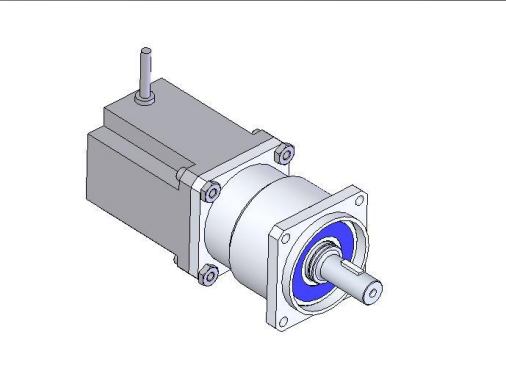
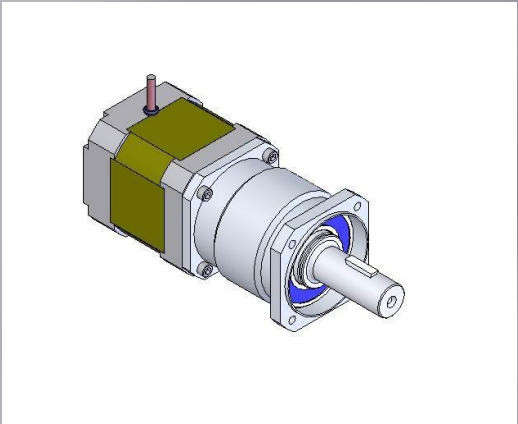
- LEAD SCREW
- BELT DRIVE
- CABLE DRIVE
- RACK & PINION

ROTARY TABLES

- SPUR GEAR DRIVE
- WORM GEAR DRIVE

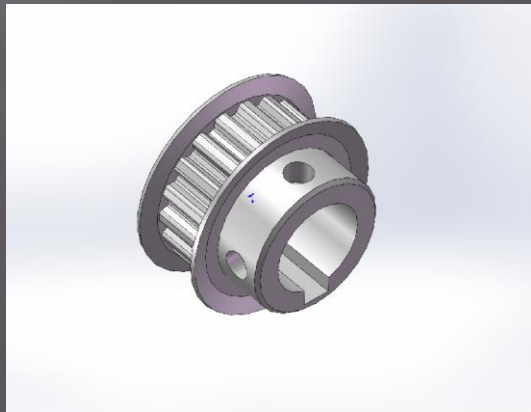
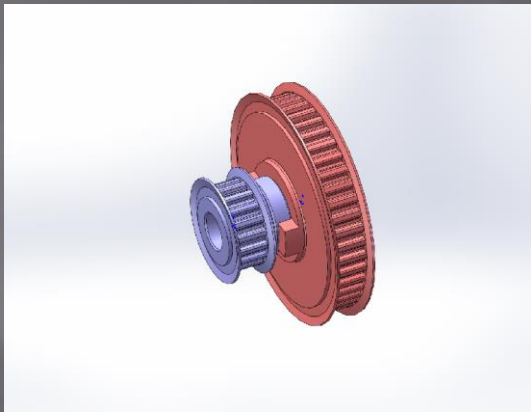
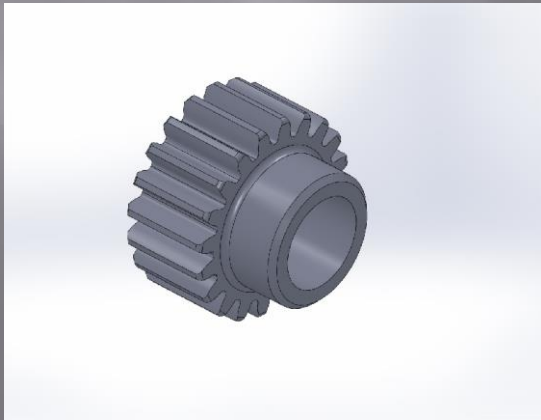
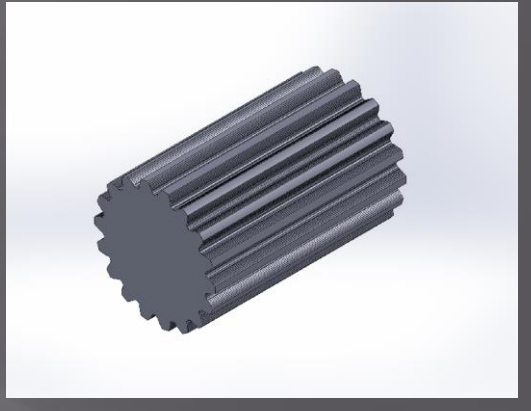
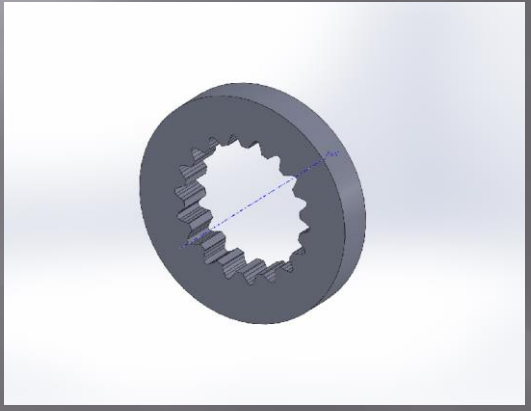
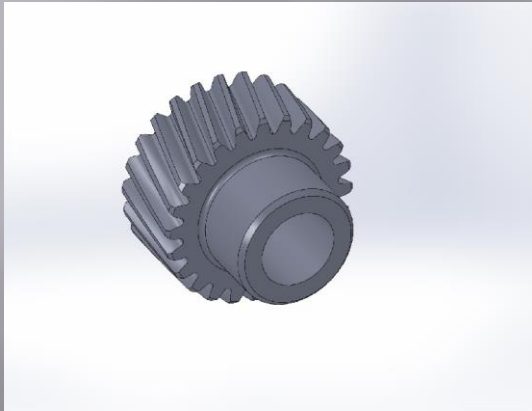
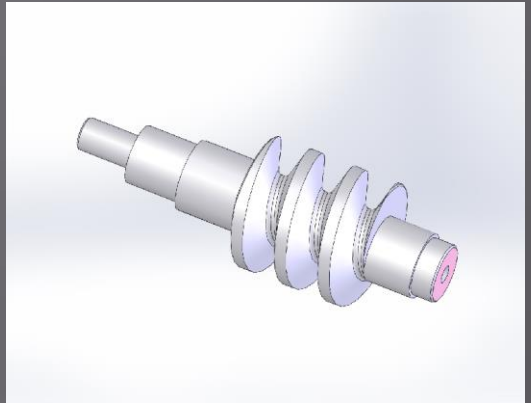
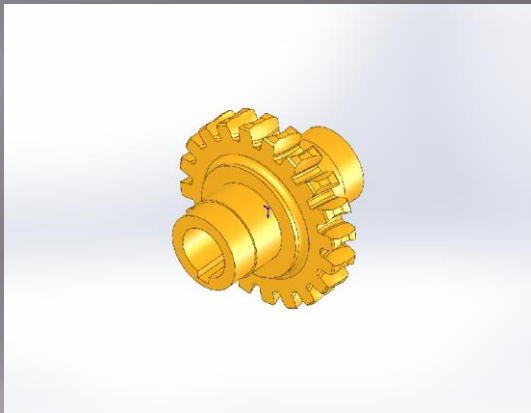
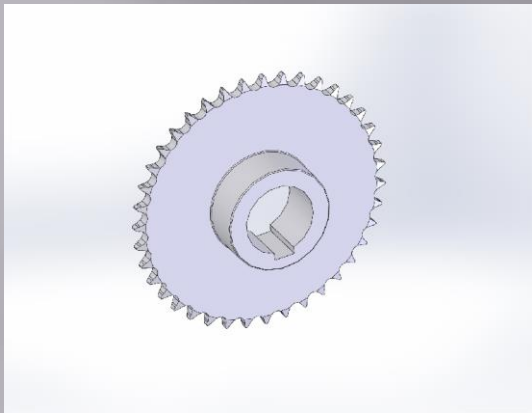
OPTIONS:

- THRU CENTER HOLE IN TABLE



CUSTOM ACCESSORIES

- SPLINES
- SPUR/ HELICAL GEARS
- WORM GEAR SETS
- HELICAL GEARS
- BEVEL GEARS
- SPROCKETS
- TIMING BELT PULLEYS
- COMPOUND TIMING BELT PULLEYS
- V BELT PULLEYS
- BULL GEAR ARRANGEMENTS



INDUSTRIES SERVED

- AEROSPACE
- MEDICAL
- FACTORY AUTOMATION
- SPACE
- NATIONAL LABS
- NASA

CONTACT US

DESIGN-TEK, INC.

E-MAIL: RON.DTI@COMCAST.NET

PH: 503-487-6907

FAX: 503-487-6589

WWW.DESIGN-TEK.COM